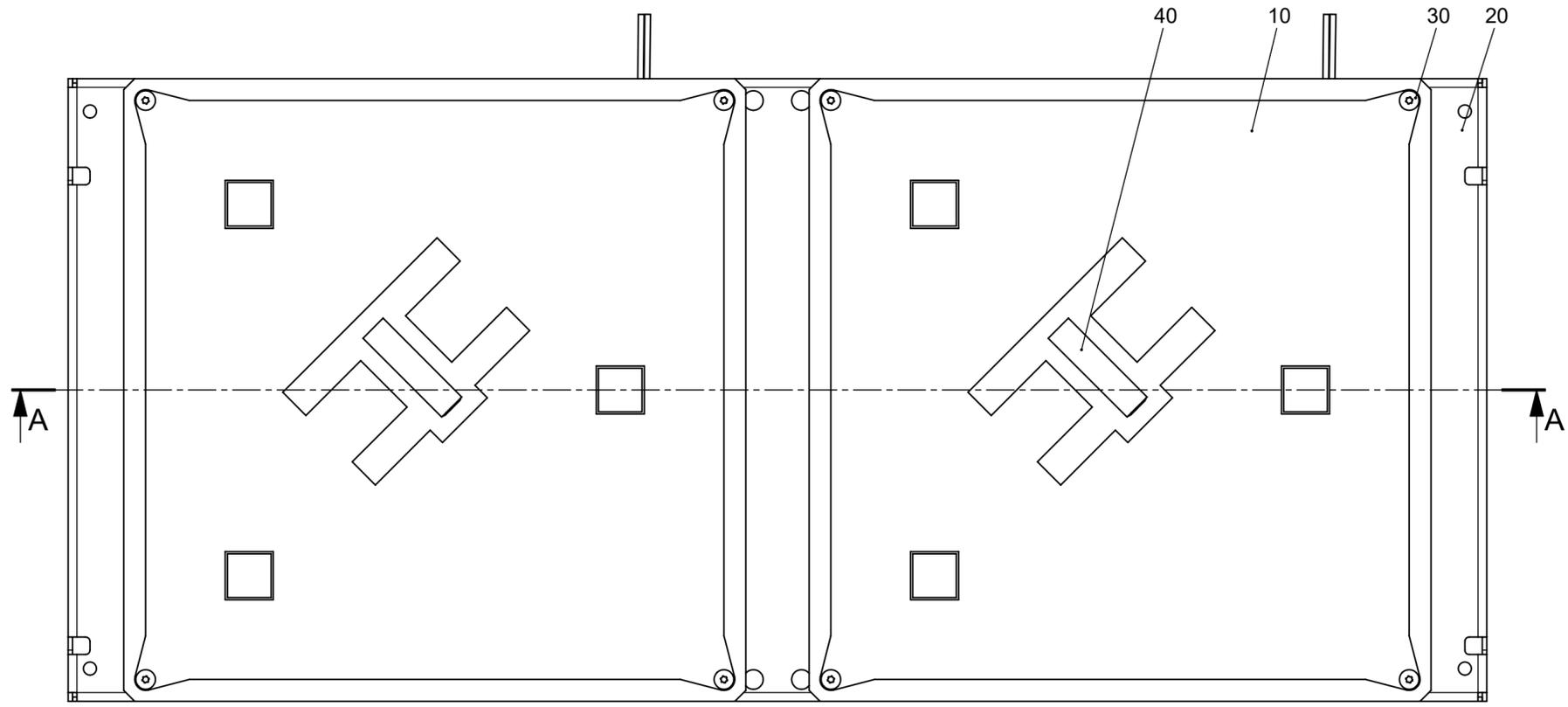
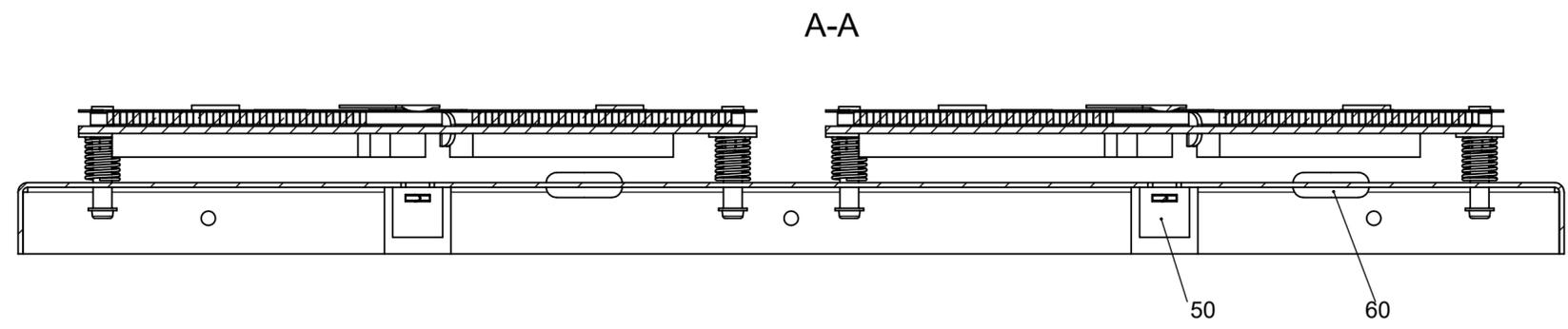
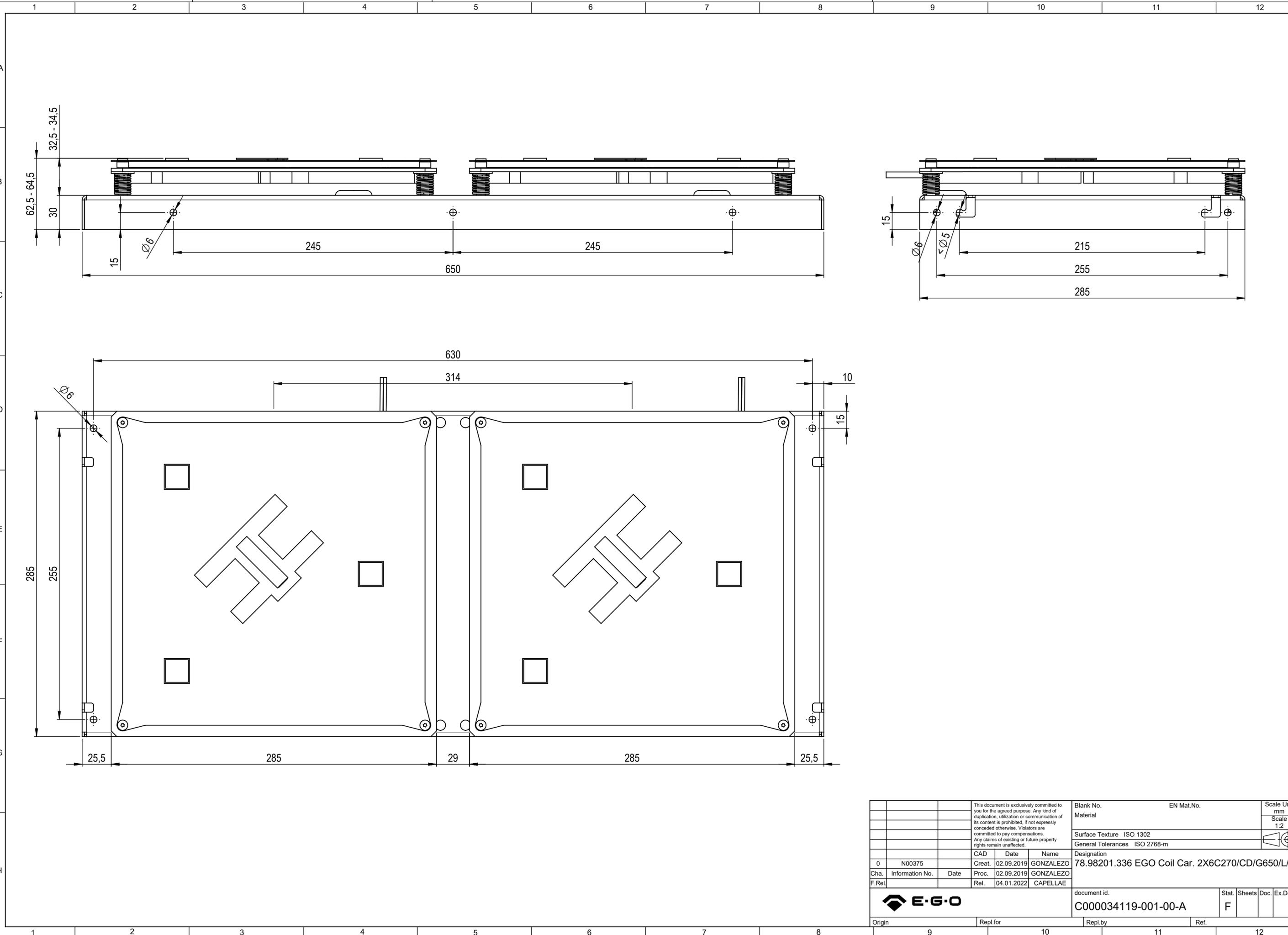


document id.: C000034119-001-00-A / state: 230 - released
 view date: 2022-04-25 11:58:54 / user: WINKLERA
 item id.: 78.98201.336-00/00A / SAP material state: 2F



				This document is exclusively committed to you for the agreed purpose. Any kind of duplication, utilization or communication of its content is prohibited, if not expressly conceded otherwise. Violators are committed to pay compensations. Any claims of existing or future property rights remain unaffected.			Blank No.	EN Mat.No.	Scale Unit mm		
							Material		Scale 1:2		
							Surface Texture	ISO 1302			
							General Tolerances	ISO 2768-m			
				CAD	Date	Name	Designation				
0	N00375		02.09.2019	GONZALEZO	78.98201.336 EGO Coil Car. 2X6C270/CD/G650/L/S						
Cha.	Information No.	Date	Proc.	02.09.2019	GONZALEZO						
F.Rel.			Rel.	04.01.2022	CAPELLAE						
							document id.	Stat.	Sheets	Doc.	Ex.Doc.
							C000034119-001-00-A	F			
Origin			Repl.for			Repl.by			Ref.		
1	2	3	4	5	6	7	8	9	10	11	12

document id.: C000034119-001-00-A / state: 230 - released
 view date: 2022-04-25 11:58:54 / user: WINKLERA
 item id.: 78.98201.336-00/00A / SAP material state: 2F



This document is exclusively committed to you for the agreed purpose. Any kind of duplication, utilization or communication of its content is prohibited, if not expressly conceded otherwise. Violators are committed to pay compensations. Any claims of existing or future property rights remain unaffected.				Blank No.	EN Mat.No.	Scale Unit mm
				Material		Scale 1:2
				Surface Texture	ISO 1302	
				General Tolerances	ISO 2768-m	
		CAD	Date	Name	Designation	
0	N00375	Creat.	02.09.2019	GONZALEZO	78.98201.336 EGO Coil Car. 2X6C270/CD/G650/L/S	
Cha.	Information No.	Date	Proc.	02.09.2019	GONZALEZO	
F.Rel.		Rel.	04.01.2022	CAPELLAE		
					document id.	Stat. Sheets Doc. Ex.Doc.
					C000034119-001-00-A	F
Origin	Repl.for			Repl.by	Ref.	