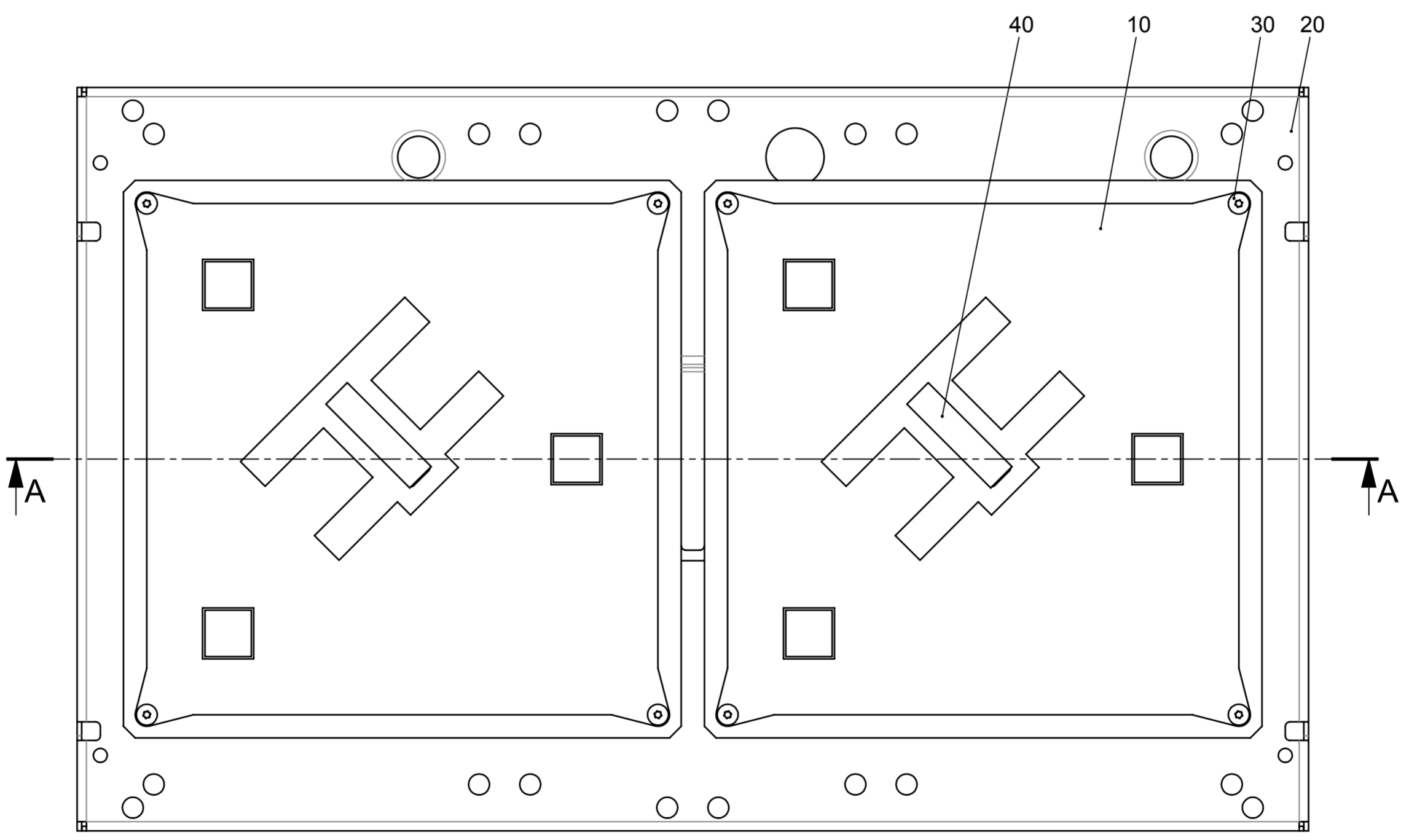
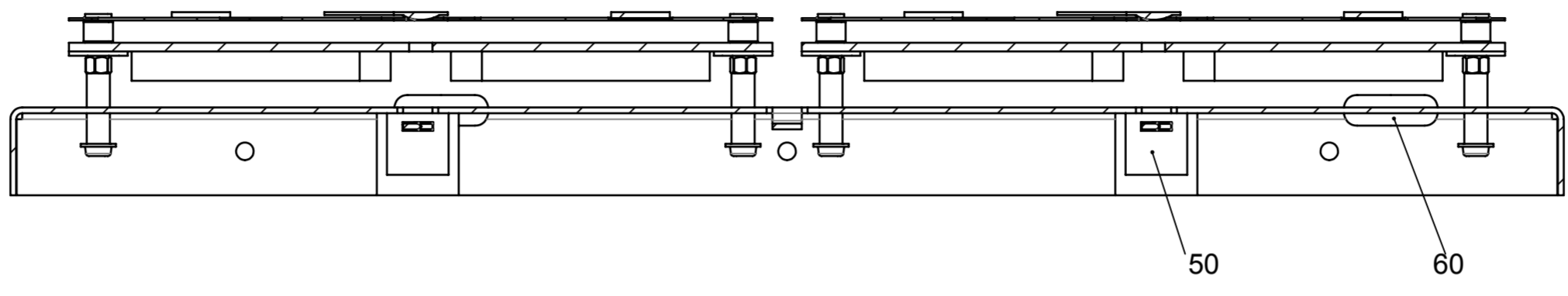


1 2 3 4 5 6 7 8 9 10 11 12

A
B
C
D
E
F
G
H

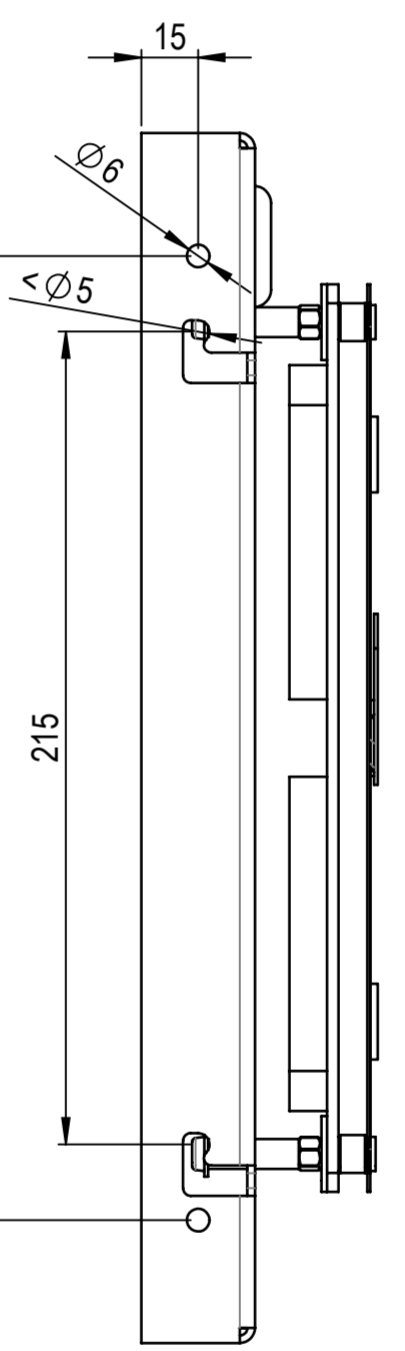
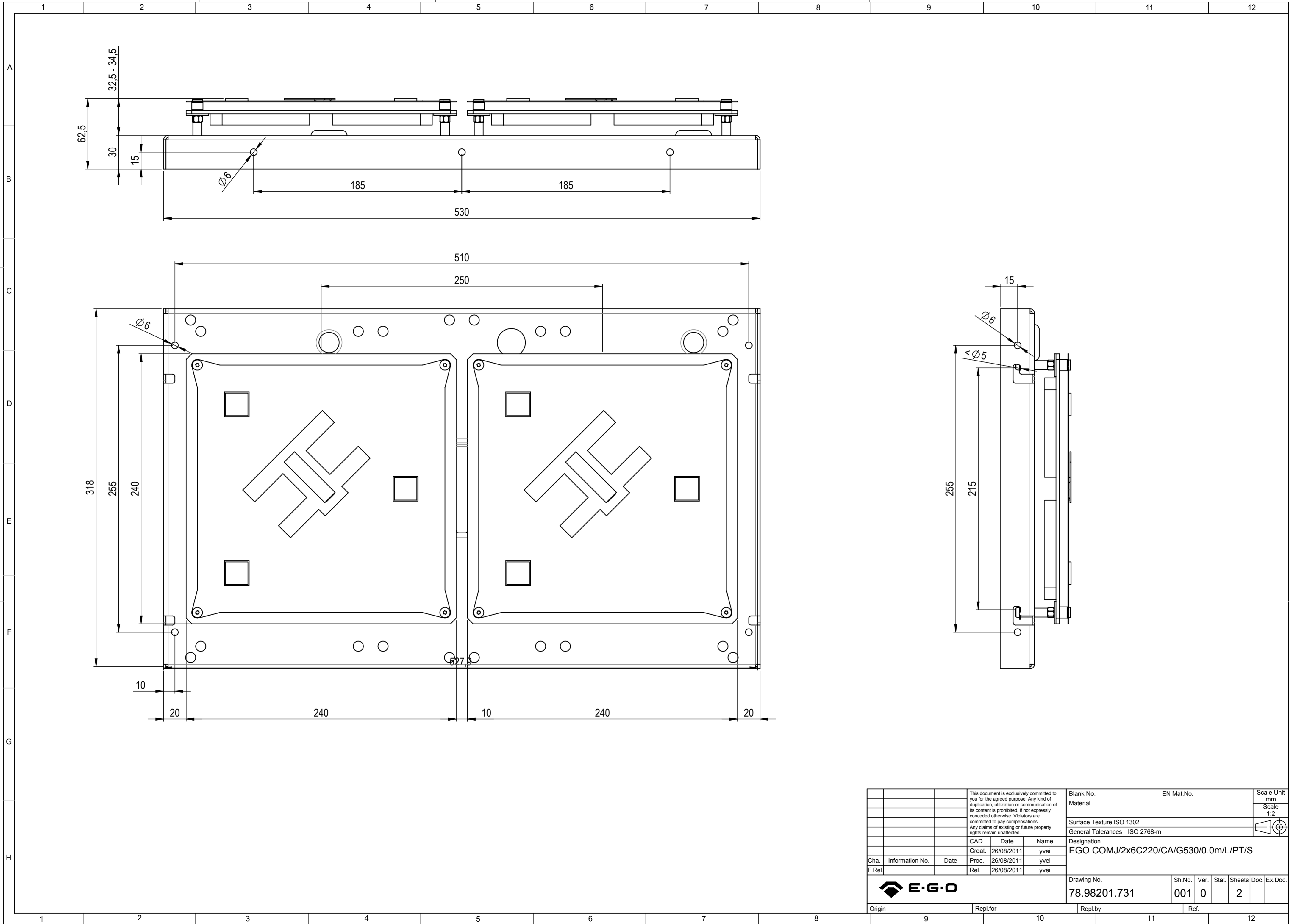
A-A



This document is exclusively committed to you for the agreed purpose. Any kind of duplication, utilization or communication of its content is prohibited, if not expressly conceded otherwise. Violators are committed to pay compensations. Any claims of existing or future property rights remain unaffected.				Blank No.	EN Mat.No.	Scale Unit mm
				Material		Scale 1:2
				Surface Texture ISO 1302		
				General Tolerances ISO 2768-m		
				CAD	Date	Name
				Cha. Information No.	Date	Proc.
				F.Rel.	Date	Rel.
				Designation	EGO COMJ/2x6C220/CA/G530/0.0m/L/PT/S	
				Drawing No.	Sh.No.	Ver.
				78.98201.731	001	0
				Stat.	Sheets	Doc. Ex.Doc.
				2		
Origin				Repl.for	Repl.by	Ref.



1 2 3 4 5 6 7 8 9 10 11 12



This document is exclusively committed to you for the agreed purpose. Any kind of duplication, utilization or communication of its content is prohibited, if not expressly conceded otherwise. Violators are committed to pay compensations. Any claims of existing or future property rights remain unaffected.				Blank No.		EN Mat.No.		Scale Unit mm	
				Material				Scale 1:2	
				Surface Texture ISO 1302					
				General Tolerances ISO 2768-m					
				CAD		Date		Name	
				Creat.		26/08/2011		yvei	
Cha.				Information No.		Date		Proc.	
F.Rel.						26/08/2011		yvei	
				Rel.		26/08/2011		yvei	
				Designation		EGO COMJ/2x6C220/CA/G530/0.0m/L/PT/S			
				Drawing No.		Sh.No.		Ver.	
				78.98201.731		001		0	
				Stat.		Sheets		Doc. Ex.Doc.	
				2					
Origin				Repl.for		Repl.by		Ref.	