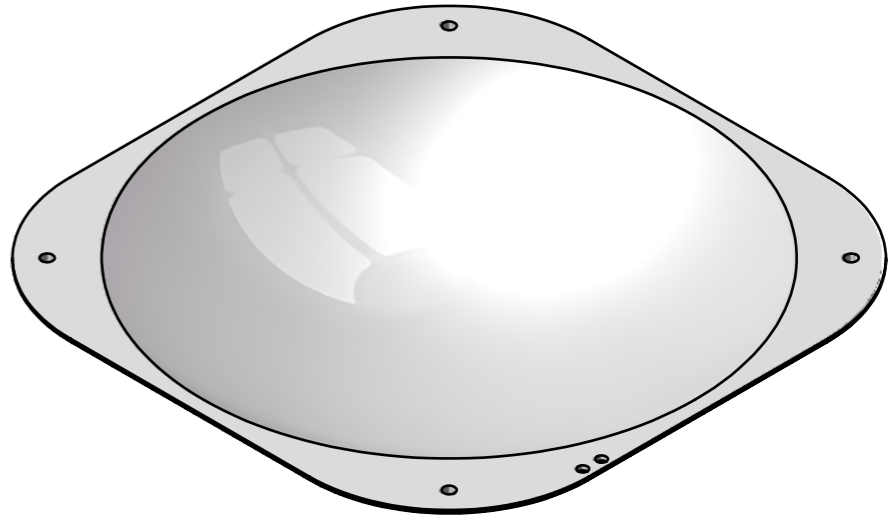
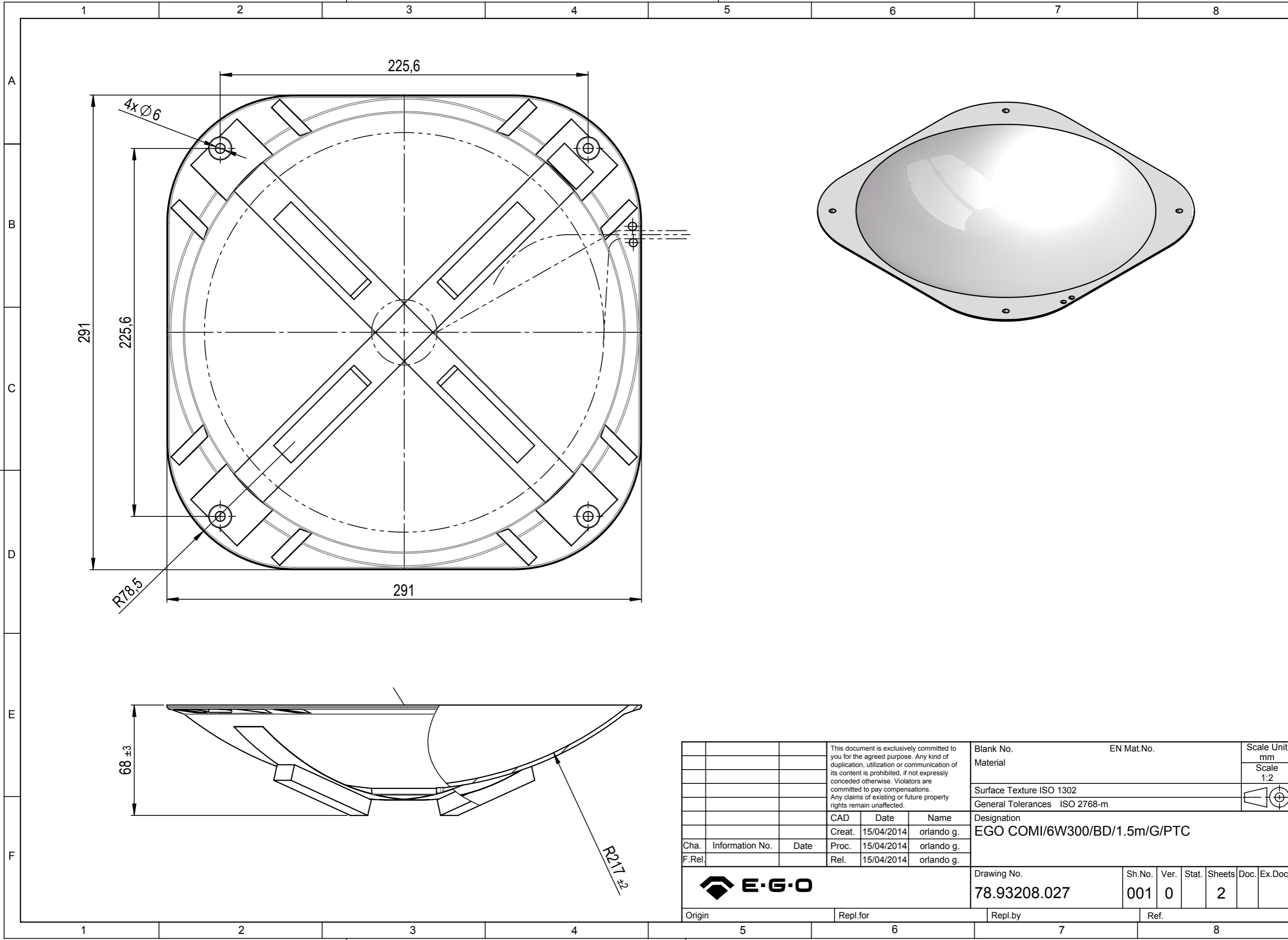


This document is exclusively committed to you for the agreed purpose. Any kind of duplication, utilization or communication of its content is prohibited, if not expressly conceded otherwise. Violators are committed to pay compensations. Any claims of existing or future property rights remain unaffected.			Blank No.		EN Mat.No.		Scale Unit			
			Material				mm			
			Surface Texture ISO 1302				Scale		1:2	
			General Tolerances ISO 2768-m							
			CAD	Date	Name		Designation			
			Creat.	15/04/2014	orlando g.		EGO COMI/6W300/BD/1.5m/G/PTC			
Cha.	Information No.	Date	Proc.	15/04/2014	orlando g.					
F.Rel.			Rel.	15/04/2014	orlando g.					
			Drawing No.		Sh.No.	Ver.	Stat.	Sheets	Doc.	Ex.Doc.
			78.93208.027		001	0		2		
Origin			Repl.for			Repl.by		Ref.		



This document is exclusively committed to you for the agreed purpose. Any kind of duplication, utilization or communication of its content is prohibited, if not expressly conceded otherwise. Violators are committed to pay compensations. Any claims of existing or future property rights remain unaffected.			Blank No.		EN Mat.No.		Scale Unit					
			Material				mm					
			Surface Texture ISO 1302				Scale		1:2			
			General Tolerances ISO 2768-m									
			CAD	Date	Name		Designation					
			Creat.	15/04/2014	orlando g.		EGO COMI/6W300/BD/1.5m/G/PTC					
Cha.	Information No.	Date	Proc.	15/04/2014	orlando g.							
F.Rel.			Rel.	15/04/2014	orlando g.							
					Drawing No.		Sh.No.	Ver.	Stat.	Sheets	Doc.	Ex.Doc.
					78.93208.027		001	0		2		
Origin			Repl.for			Repl.by			Ref.			