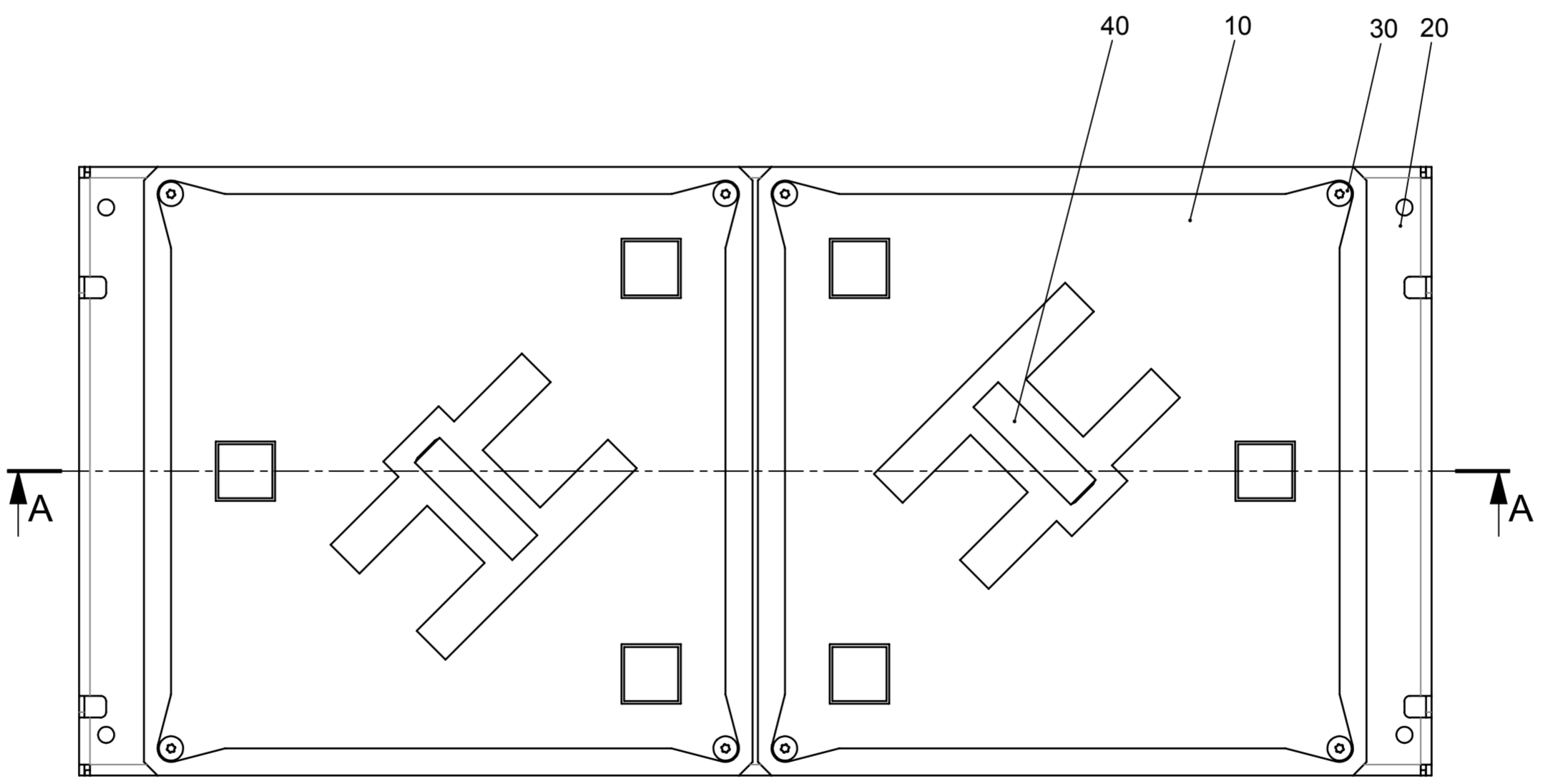
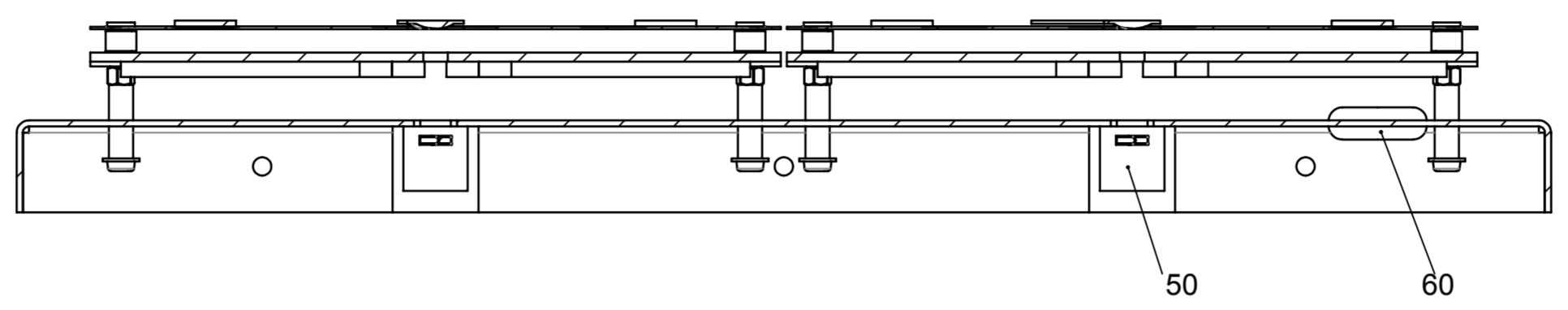


1 2 3 4 5 6 7 8 9 10 11 12

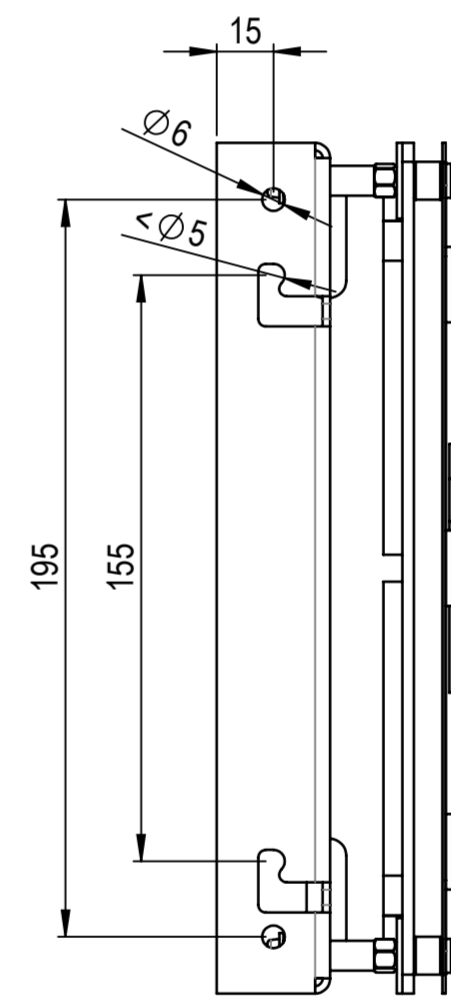
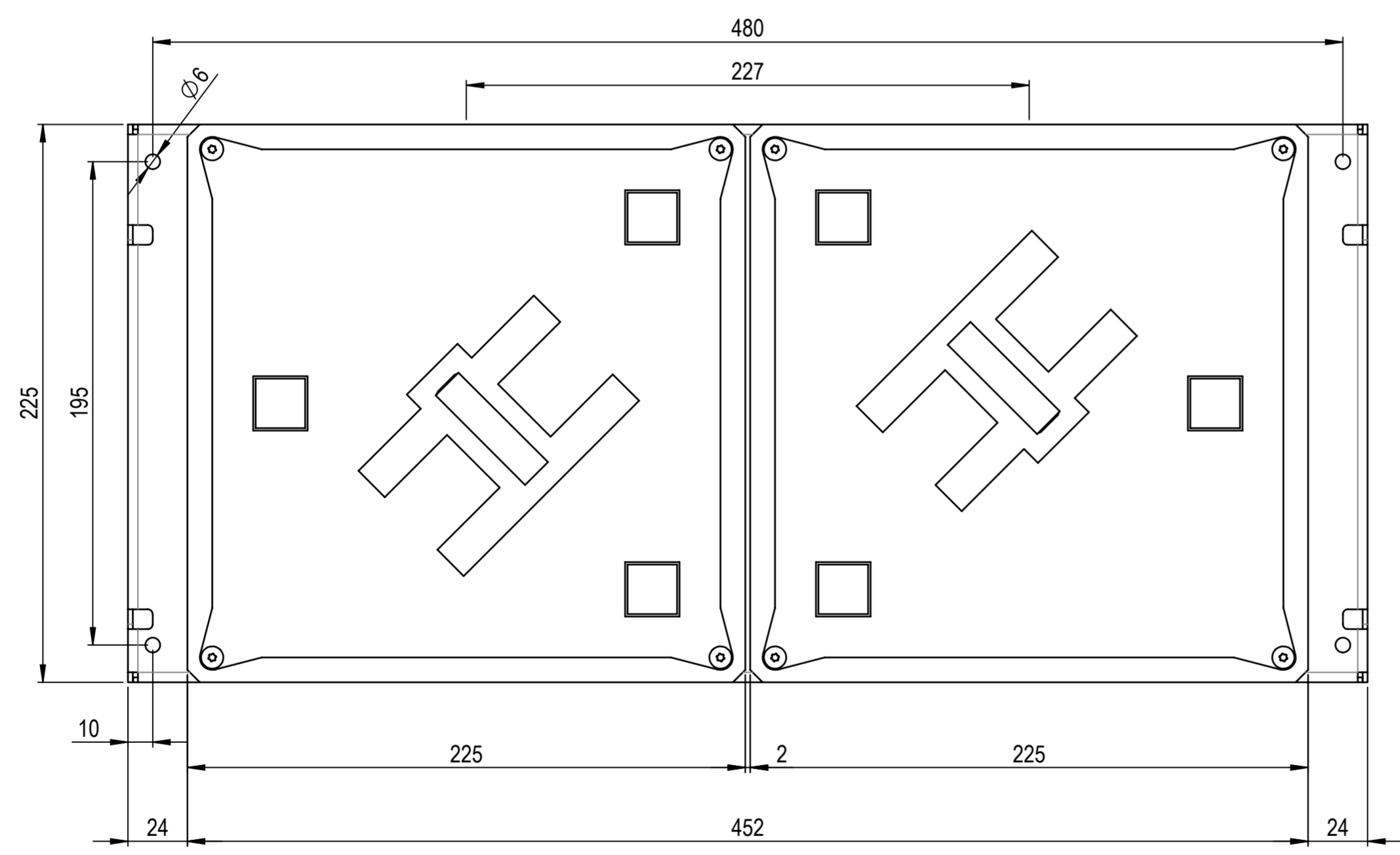
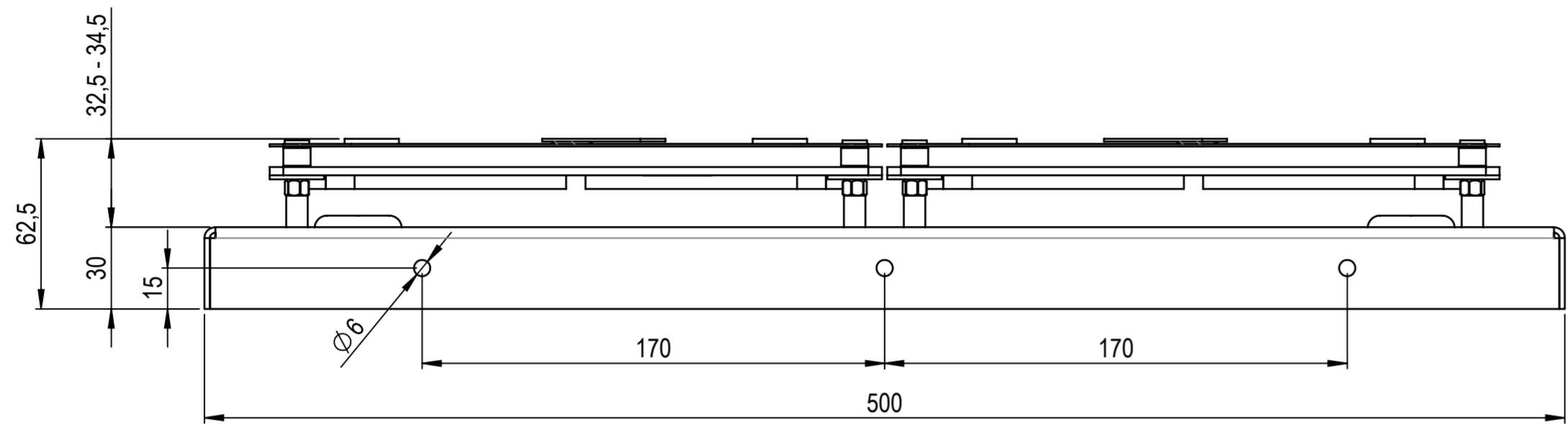
A
B
C
D
E
F
G
H

A-A



This document is exclusively committed to you for the agreed purpose. Any kind of duplication, utilization or communication of its content is prohibited, if not expressly conceded otherwise. Violators are committed to pay compensations. Any claims of existing or future property rights remain unaffected.				Blank No.	EN Mat.No.	Scale Unit mm
				Material		Scale 1:2
				Surface Texture ISO 1302		
				General Tolerances ISO 2768-m		
				CAD	Date	Name
				Cha.	Information No.	Date
				F.Rel.		
				Creat.	06/05/2010	yvei
				Proc.	06/05/2010	yvei
				Rel.	06/05/2010	saja
				Designation		
				EGO COMJ/2x6Q210/CN/G500/0.0m/L/PT/S		
				Drawing No.	Sh.No.	Ver.
				78.98202.308	001	0
				Stat.	Sheets	Doc. Ex.Doc.
					1	
				Origin	Repl.for	Repl.by
						Ref.

1 2 3 4 5 6 7 8 9 10 11 12



This document is exclusively committed to you for the agreed purpose. Any kind of duplication, utilization or communication of its content is prohibited, if not expressly conceded otherwise. Violators are committed to pay compensations. Any claims of existing or future property rights remain unaffected.				Blank No.	EN Mat. No.	Scale Unit mm
				Material		Scale 1:2
				Surface Texture ISO 1302		
				General Tolerances ISO 2768-m		
				CAD	Date	Name
				Creat.	06/05/2010	yvei
				Proc.	06/05/2010	yvei
				Rel.	06/05/2010	saja
Cha.	Information No.	Date		Designation		
F.Rel.				EGO COMJ/2x6Q210/CN/G500/0.0m/L/PT/S		
				Drawing No.	Sh.No.	Ver.
				78.98202.308	001	0
				Stat.	Sheets	Doc. Ex.Doc.
				1		
Origin			Repl.for	Repl.by	Ref.	